

# 4 ft. 4000K, 4160lm LED Linear Channel Luminaire with Quick Clip Installation



- Quick clip installation – easily install luminaire without having to access inside of fixture housing
- Can be easily suspended using suspension kit (70300)\*
- 130 lm/W, DLC Premium – saves up to 50% in energy costs compared to fluorescent
- Frosted diffuser minimizes glare for optimal comfort
- Excellent solution for a variety of environments including warehouses, manufacturing facilities, parking garages, storage areas and more
- 4160lm output, replaces 4 ft. fluorescent tube fixtures
- 0-10V Dimming – supports compliance with Title 24
- 4000K - Cool White
- 100-277V compatible
- 50,000 hour rated lifetime
- 5-year limited warranty

\*Sold separately. Includes (2) 4 ft. cables with "V" hooks. □

Specifications	
Model	LN-4FT-W32-C40-QI
Part Number	70296
Color Temperature	4000K
Lumen Output	4160lm
Wattage	32W
Power Factor	>0.9
CRI	80
Efficacy	130lm/W
Dimmable	0-10V
Voltage	100-277V
Input Current	500mA
Operating Temperature	-20°C to 40°C
Weight	58.56 oz.
Dimensions	48.00 x 3.26 x 3.11 in
Rated Lifetime	50000 Hours
Warranty	5-Year Limited Warranty
DLC Product Listing	LN-4FT-W32-C40-QI

## Certifications:

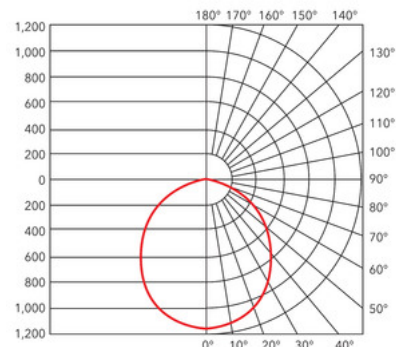
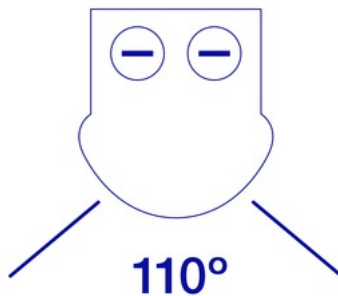
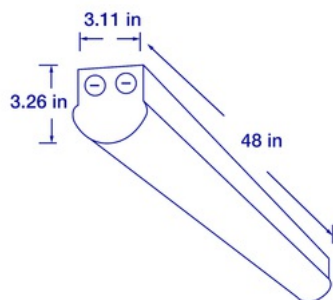


# 4 ft. 4000K, 4160lm LED Linear Channel Luminaire with Quick Clip Installation

## Additional Images:



## Diagrams:



## Available accessories:



Junction Box Cover  
(70427)



Suspension Kit  
(70300)