

4 ft. 5000K, 2520lm RetroStick LED T5 - 30pk

- Ideal low cost retrofit solution for fluorescent troffers and strips
- Quick installation saves labor costs – included magnetic clips affix T5 RetroStick to existing metal housing, eliminating the need for fastening screws
- Highly reliable direct power solution – eliminate ballasts and tombstones
- Internal driver - easily connect fixtures (up to 12) using jumper cord(s)* or end-to-end
- High efficacy – 140 lm/W, DLC Premium
- Delamp 2 for 1 – two connected fixtures will produce over 5,000 lumens
- Eliminate waste by using the existing troffer housing
- Mounting bracket available for fastening to non-magnetic surfaces (sold separately)
- 18W bare lamp wattage – maximizes return on investment
- High quality of light – frosted diffuser produces uniform luminescence and wide light angle
- 5000K - daylight
- 120-277V
- Energy efficient, long-lasting LED – significantly reduces energy costs compared to fluorescent tubes
- 50,000 hours rated lifetime
- 5-year limited warranty
- *Sold separately



Specifications	
Model	LNT5-4FT-C50-W18
Part Number	70439
Color Temperature	5000K
Lumen Output	2520lm
Wattage	18W
Power Factor	0.9
CRI	80
Efficacy	140lm/W
Dimmable	No
Voltage	120-277V
Input Current	200mA
Operating Temperature	-20°C to 40°C
Weight	8.8 oz.
Dimensions	43.72 x 1.41 x 0.87 in
Rated Lifetime	50000 Hours
Warranty	5-Year Limited Warranty
DLC Product Listing	LNT5-4FT-C50-W18

Certifications:

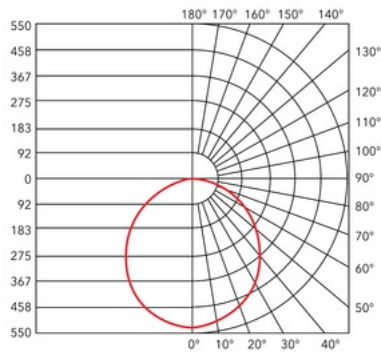
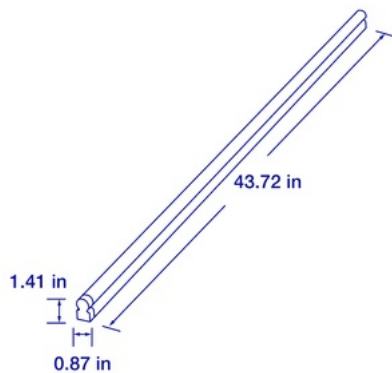


4 ft. 5000K, 2520lm RetroStick LED T5 - 30pk

Additional Images:



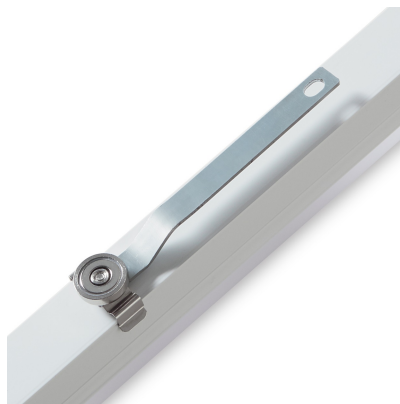
Diagrams:



Available accessories:



12" Power Cable
(70402)



T5 Stick Bracket
(70407)



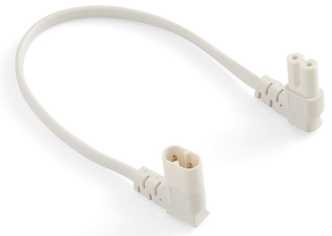
12" Jumper Cable
(70403)



7" Jumper Cable
(70404)



36" Power Cable
(70456)



12" Jumper Cable
(70457)