

PAR16 2700K, 500lm LED Lamp with 40-Degree Beam Angle

- Rated for use in enclosed fixtures
- LED replacement for 60W halogen lamp
- 2700K, soft white light
- 40-degree beam angle
- Compatible with most commercial dimmers*
- Energy efficient, long-lasting LED – over 85% reduction in energy costs compared to halogen lamps
- 25,000 hour design lifetime
- 3-Year Limited Warranty

* Dimming range may vary based on dimmer used.



Specifications	
Model	G10-L500-C27-B40-E
Part Number	99889
Color Temperature	2700K
Lumen Output	500lm
Wattage	6.5W
Replacement Equivalent	60W Halogen equivalent
CRI	80
Efficacy	77lm/W
Beam Angle	40°
CBCP	677cd
Dimmable	Yes
Wet Rated?	No
Voltage	120V
Operating Temperature	-20°C to +40°C
Base	GU10
Weight	1.44 oz.
Dimensions	1.97 x 2.13 x 1.97 in
Design life	25,000 Hours
Rated for enclosed fixtures?	Yes
Warranty	3-Year Limited Warranty
Energy Star Product Listing	G10-L500-C27-B40-E

Certifications:

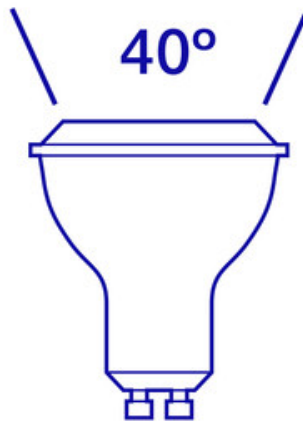
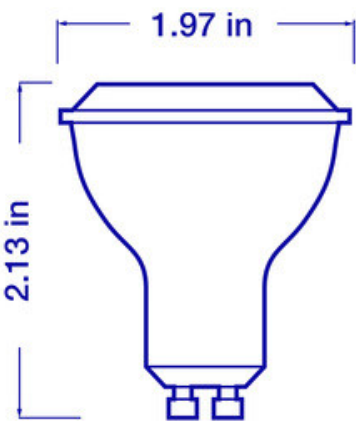


PAR16 2700K, 500lm LED Lamp with 40-Degree Beam Angle

Additional Images:



Diagrams:



Lighting Facts:

Lighting Facts <small>Per Bulb</small>	
Information concernant l'éclairage <small>Pour une ampoule</small>	
Brightness/Luminosité	500 lumens
Estimated Yearly Energy Cost	\$0.78
Estimation Des Coûts Énergétiques Annuels	
<small>Based on 3 hrs/day, 11¢/kWh Sur la base de 3 heures / jour, 11 ¢ / kWh Cost depends on rates and use Le coût dépend du tarif et de l'utilisation</small>	
Life/Durée de vie	22.8 years/années
<small>Based on 3 hrs/day Sur la base de 3 heures/jour</small>	
Light Appearance/Degré de luminosité	
Warm/Chaude	Cool/Froide
2700 K	
Energy Used/Energie utilisée	6.5 watts