

PAR16 3000K, 500lm LED Lamp with 40-Degree Beam Angle

- Rated for use in enclosed fixtures
- LED replacement for 60W halogen lamps
- 3000K - warm white
- 40-degree beam angle
- Compatible with most commercial dimmers*
- Energy efficient, long-lasting LED - over 85% reduction in energy costs compared to halogen lamps
- 25,000 hour design lifetime
- 3-year limited warranty

* Dimming range may vary based on dimmer used.



Specifications	
Model	G10-L500-C30-B40-E
Part Number	99891
Color Temperature	3000K
Lumen Output	500lm
Wattage	6.5W
Replacement Equivalent	60W Halogen equivalent
CRI	80
Efficacy	77lm/W
Beam Angle	40°
CBCP	677cd
Dimmable	Yes
Wet Rated?	No
Voltage	120V
Operating Temperature	-20°C to +40°C
Base	GU10
Weight	1.44 oz.
Dimensions	2.05 x 2.07 x 2.05 in
Design life	25000 Hours
Rated for enclosed fixtures?	Yes
Warranty	3-Year Limited Warranty
Energy Star Product Listing	G10-L500-C30-B40-E

Certifications:

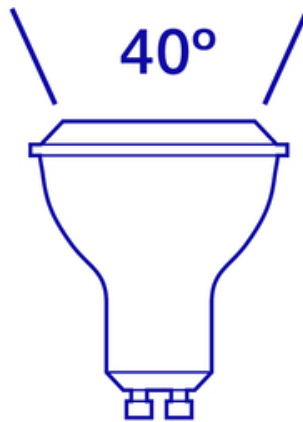
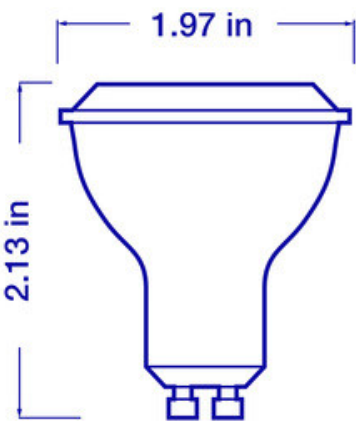


PAR16 3000K, 500lm LED Lamp with 40-Degree Beam Angle

Additional Images:



Diagrams:



Lighting Facts:

Lighting Facts <small>Per Bulb</small>	
Information concernant l'éclairage <small>Pour une ampoule</small>	
Brightness/Luminosité	500 lumens
Estimated Yearly Energy Cost	\$0.78
Estimation Des Coûts Énergétiques Annuels	
<small>Based on 3 hrs/day, 11¢/kWh Sur la base de 3 heures / jour, 11 ¢ / kWh Cost depends on rates and use Le coût dépend du tarif et de l'utilisation</small>	
Life/Durée de vie	22.8 years/années
<small>Based on 3 hrs/day Sur la base de 3 heures/jour</small>	
Light Appearance/Degré de luminosité	
<small>Warm/Chaude Cool/Froide</small>	
<small>3000 K</small>	
Energy Used/Energie utilisée	6.5 watts